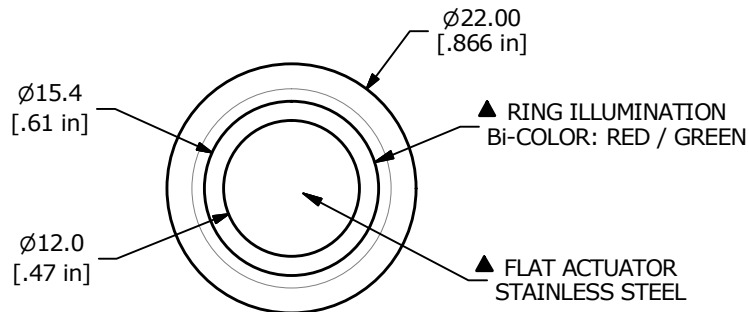
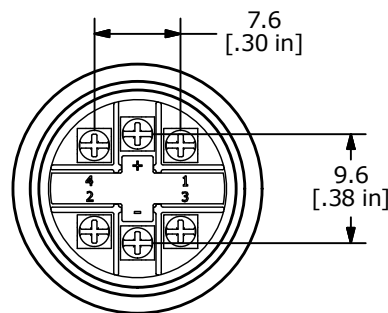
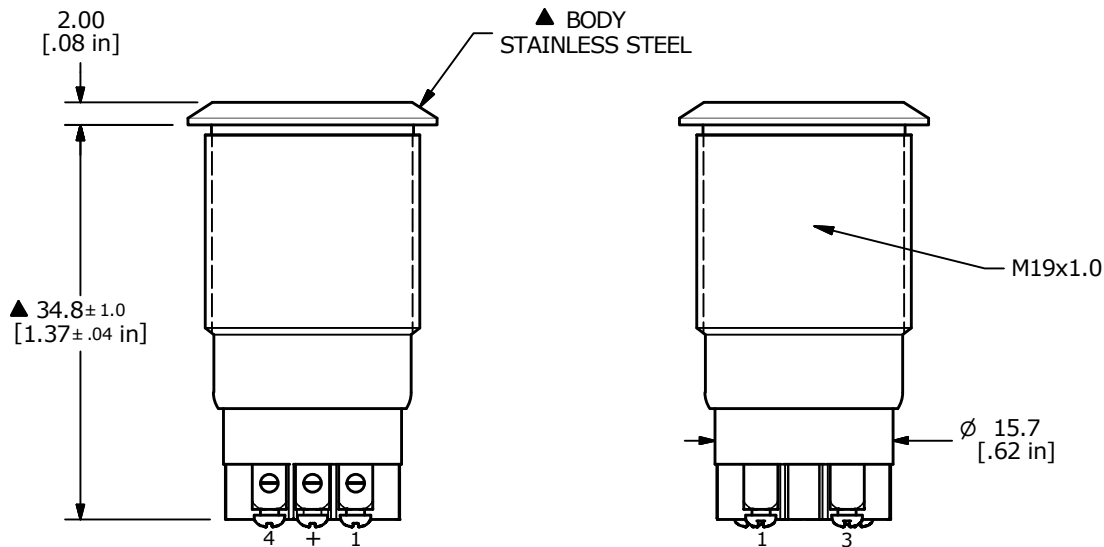
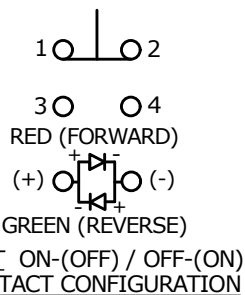


Recommended PANEL CUTOUT
MAX. PANEL THICKNESS
11.0mm [.43]



SWITCH FUNCTION	
POS. 1	POS. 2
1-2 ON	1-2 (OFF)
3-4 OFF	3-4 (ON)

() = MOMENTARY



- NOTE:
- ALL DIMENSIONS IN MM [INCH]
 - GENERAL TOLERANCE: X.X = ±0.4
X.XX = ±0.25
 - TERMINAL NUMBERS FOR REF ONLY
 - CONTACTS: GOLD PLATED
 - RATING: 2A 24VDC
 - ELECTRIC LIFE: 50,000 MAKE-AND-BREAK CYCLES AT FULL LOAD.
 - INSULATION RESISTANCE: 1,000 MΩ MIN.
 - DIELECTRIC STRENGTH: 2,000 VAC MIN. FOR 1 MINUTE
 - CONTACT RESISTANCE: 50mΩ MAX. @ 1A 12VDC
 - OPERATING TEMP.: -20°C to 55°C
 - TRAVEL: 2.8mm
 - ▲ DENOTES CRITICAL PARAMETER
 - LAMP VOLTAGE: 24V
 - INGRESS PROTECTION: IP65
 - HARDWARE SUPPLIED: O-RING AND HEXNUT



A	24224	RELEASE FOR PRODUCTION	3/17/20	MJR
REV	PCR NO	DESCRIPTION	DATE	BY

TITLE PV4F6Y0SS-3G5				
SCALE 3:2	DATE 3/17/2020	DR MJR	DWG 52-PV4F6Y0SS3G5	REV A

THE INFORMATION CONTAINED IN THIS DOCUMENT IS PROPRIETARY TO E-SWITCH AND IS NOT TO BE COPIED OR TRANSFERRED